

TY2 1/2 C

TRINITY Tap Range Trinity 2 Basin Taps Chrome



Features:

- Uniquely designed Timeless detailing for traditional bathrooms.
- Hand-finished handles using precision watchmaker techniques.
- Metal fixing nut for added durability

Product Certifications:



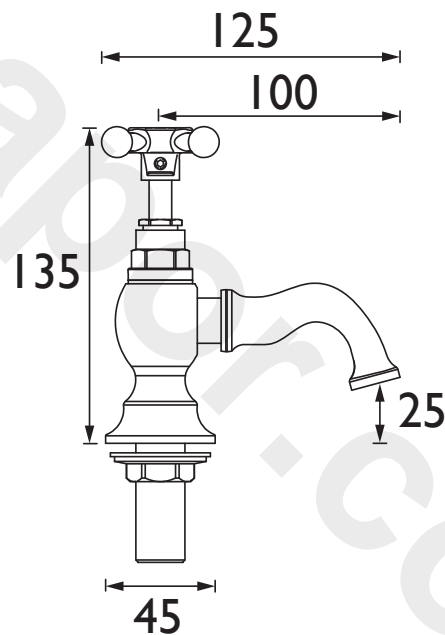
For more products, visit our website:
<http://www.bristan.com>



Specification

Product Type:	Bathroom Taps
Main Construction Material:	Brass
Mount Type:	Deck
Handle Type:	Crosshead
Connection Inlet:	1/2" BSP Connections
Connection Outlet:	Open
Number of Tap Holes:	2
Valve/Cartridge Type:	1/2" Compression Valve
Plumbing System Requirements:	Suitable for all plumbing systems
Minimum Dynamic Pressure (bar):	0.2 bar
Maximum Dynamic Pressure (bar):	5.0 bar
Maximum Hot Water Temperature °C:	65°C
Maximum Static Pressure (bar):	10 bar
Isolation Included:	No

Dimensions (measurements in mm)



Flow Rates (l/min)

System Pressure (bar)	0.2	0.5	1	2	3	5
TY2 1/2 C (Cold)	16.9	26.7	37.7	53.3	65.3	84.3
TY2 1/2 C (Hot)	17.6	27.8	39.4	55.7	68.2	88

TECHNICAL DATA SHEET



BRISTAN

D4